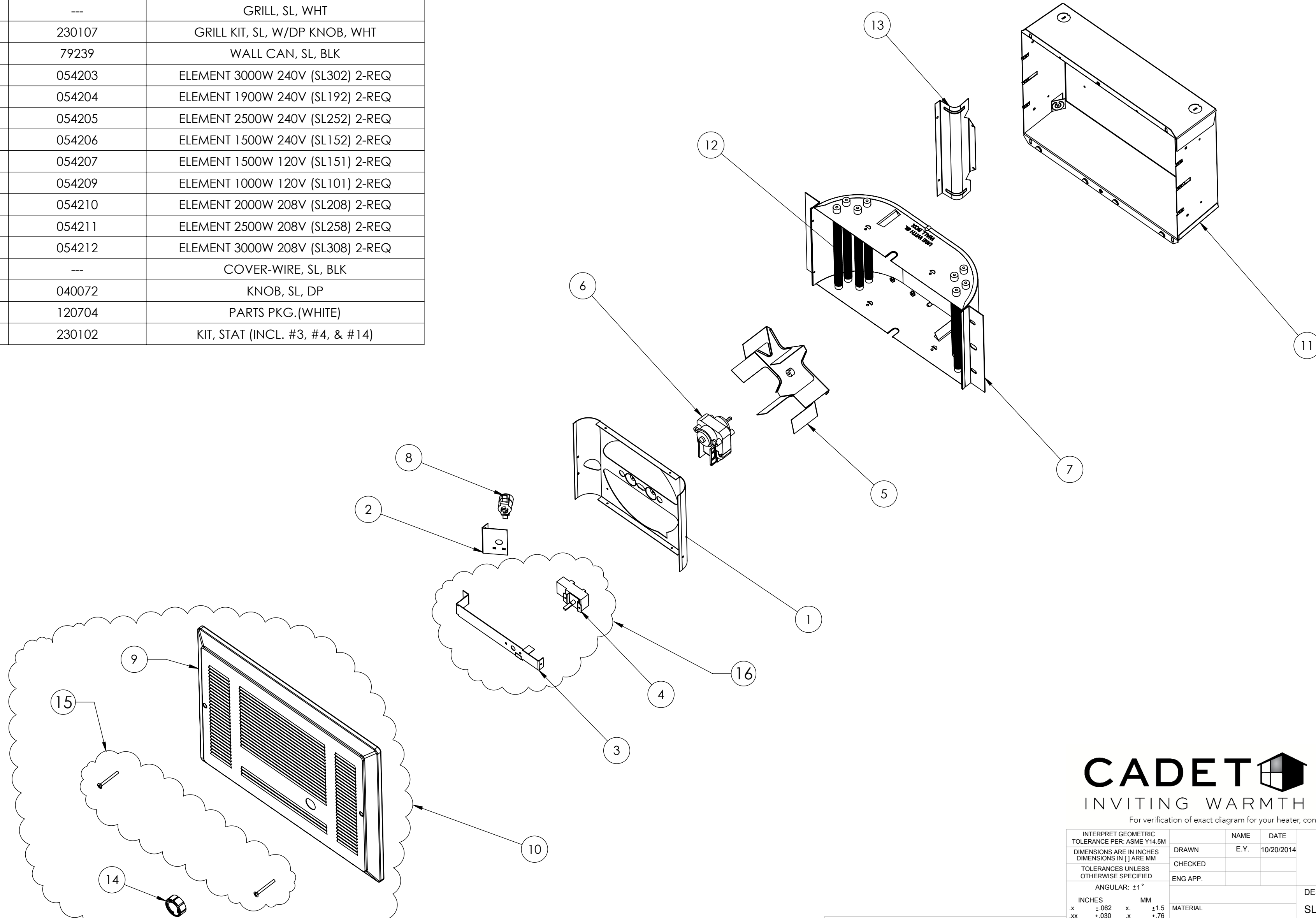


ITEM NO.	PART NUMBER	DESCRIPTION
1	---	HEATBOX-COVER, SL, BLK
2	---	BRACKET, MANUAL LIMIT SWITCH
3	---	BRACKET, THERMOSTAT
4	051322	STAT-DP, SL
5	230033	FAN BLADE
6	051431	MOTOR, 120V
	---	MOTOR, 208V
	051429	MOTOR, 240V
7	---	HEATBOX, SL, BLK
8	053106	SWITCH, MANUAL LIMIT
9	---	GRILL, SL, WHT
10	230107	GRILL KIT, SL, W/DP KNOB, WHT
11	79239	WALL CAN, SL, BLK
12	054203	ELEMENT 3000W 240V (SL302) 2-REQ
	054204	ELEMENT 1900W 240V (SL192) 2-REQ
	054205	ELEMENT 2500W 240V (SL252) 2-REQ
	054206	ELEMENT 1500W 240V (SL152) 2-REQ
	054207	ELEMENT 1500W 120V (SL151) 2-REQ
	054209	ELEMENT 1000W 120V (SL101) 2-REQ
	054210	ELEMENT 2000W 208V (SL208) 2-REQ
	054211	ELEMENT 2500W 208V (SL258) 2-REQ
	054212	ELEMENT 3000W 208V (SL308) 2-REQ
13	---	COVER-WIRE, SL, BLK
14	040072	KNOB, SL, DP
15	120704	PARTS PKG.(WHITE)
16	230102	KIT, STAT (INCL. #3, #4, & #14)

REVISIONS					
ECN #	REV.	DESCRIPTION	DATE	DRAWN BY	APPROVED
2429	A	CREATED CD FOR EXPLODED DWG	10/21/2014	E.YANCHUK	G.RALSTIN

SL PARTS & ASSEMBLY DETAIL VIEW



CADET INVITING WARMTH
 PHONE 360.693.2505
 www.cadetheat.com

INTERPRET GEOMETRIC TOLERANCE PER: ASME Y14.5M		NAME	DATE	CADET MANUFACTURING COMPANY VANCOUVER, WA. U.S.A TEL. (360) 693-2505	
DIMENSIONS ARE IN INCHES DIMENSIONS IN [] ARE MM		DRAWN	E.Y.		10/20/2014
TOLERANCES UNLESS OTHERWISE SPECIFIED		CHECKED			
ANGULAR: ±1°		ENG APP.			
INCHES	MM	MATERIAL			
.x ±.062	x ±1.5	FINISH			
.xx ±.030	.x ±.76	DO NOT SCALE DRAWING			
.xxx ±.015	.xx ±.38	DESCRIPTION:			
.xxxx ±.008	.xxx ±.20	SL PARTS & ASSEMBLY DETAIL VIEW			
		SIZE	DWG. NO.	REV	
		C	990009	A	
		SCALE: 1:5	990009.slddrw	SHEET 1 OF 1	

THE DOCUMENT IS THE PROPERTY OF CADET MANUFACTURING COMPANY AND MAY CONTAIN PROPRIETARY INFORMATION. BY ACCEPTING THIS INFORMATION, THE BORROWER AGREES THAT IT WILL NOT BE USED FOR ANY PURPOSE OTHER THAN FOR WHICH IT IS LOANED. IT MAY NOT BE REPRODUCED IN ANY MANNER AND SHOULD BE DESTROYED AFTER SERVING ITS INTENDED FUNCTION.

C:\Users\gralstin\Documents\EP101