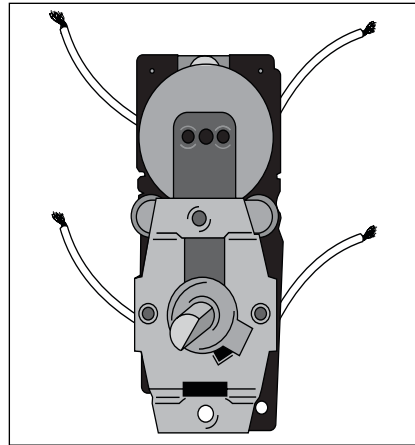


## RMT2 Built-In Thermostat Kit Installation Instructions

<http://cadetheat.com/products/wall-heaters/register-plus>

### Benefits You Can Depend On

- Double-pole thermostat kit for optional, built-in control of your Cadet Register heater
- Offers a 3° to 5° comfort range
- Easy-to-use adjustable dial
- Use with Cadet 120-, 208- or 240-volt model Register heaters
- 4-wire connection for easy installation and positive off setting
- 25 Amp
- Your RMT2 built-in thermostat is guaranteed with a **1 year limited warranty**



**RMT2  
Bracket with  
Thermostat  
Assembly**

#### TOOLS REQUIRED:

- Phillips Screwdriver
- Needle Nose Pliers

#### KIT INCLUDES:

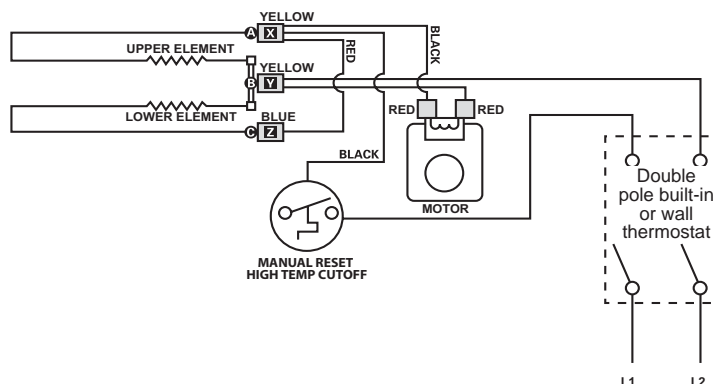
- Mounting Bracket/Thermostat Assembly
- Knob
- #8 Screw (3/8")
- Thermostat Face Plate

## IMPORTANT

When using electrical appliances, basic precautions should always be followed to reduce the risk of fire, electric shock, and injury to persons, including the following:

1. Read all instructions before installing or using this thermostat.
2. High temperatures may be generated under certain abnormal conditions. Do not partially or fully cover or obstruct the front of this heater.
3. Do not operate any heater after it malfunctions. Disconnect power at service panel and have heater inspected by a qualified electrician before reusing.
4. To disconnect heater, turn controls to off, and turn off power to heater circuit at main disconnect panel.
5. Do not insert or allow foreign objects to enter any ventilation or exhaust opening as this may cause an electric shock or fire, or damage the heater.
6. To prevent a possible fire, do not block air intakes or exhaust in any manner.
7. A heater has hot and arcing or sparking parts inside. Do not use it in areas where gasoline, paint, or flammable vapors or liquids are used or stored.
8. Do not use outdoors.

### Wiring Diagram



## SAVE THESE INSTRUCTIONS

# INSTALLATION INSTRUCTIONS

1. All electrical work and materials must comply with the National Electric Code (NEC), the Occupational Safety and Health Act (OSHA), and all state and local codes.
2. Use copper conductors only.

3. Turn off power to heater circuit at main disconnect panel.
4. Connect grounding lead to grounding screw provided.

1. Read your Register heater instructions for safety information and how to install heater. Set the heater assembly, blower wheel first, into the left side of the wall can. Fasten at top with screw provided.
2. Connect the two black thermostat wires to the two heater wires. Connect the two red thermostat wires to the incoming supply wires. (Refer to the wiring diagram on page 1.)
3. Gently place wires inside wiring compartment area keeping the wires away from all moving parts.

5. Holding the grill with labels on top, remove the second louver from the bottom with needle nose pliers. By bending the louver back and forth at each end, the louver will separate from the grill (Figure 2). Important: Only remove the right side louver.

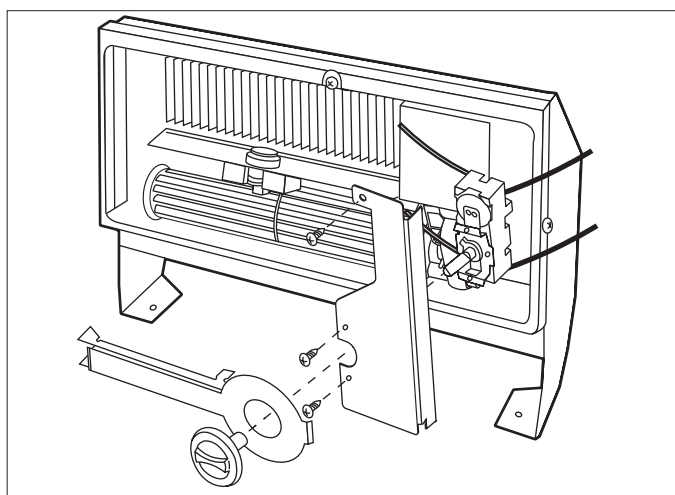


Figure 1

4. Place the bracket/thermostat assembly so that it captures the bottom edge of the wall can. Fasten the bracket at the top with the #8 screw provided.

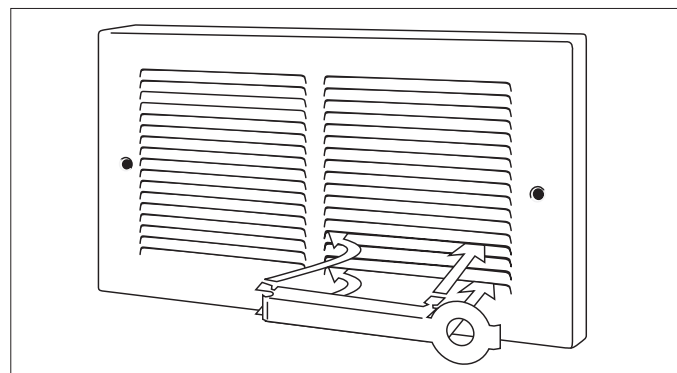


Figure 2

6. Align the thermostat face plate so that the four small tabs slip under the center divider and the first and third louvers. Turn the grill over and bend all four tabs to secure the plate in place.
7. Align the grill so that the thermostat shaft is in the center of the hole of the face plate. Tighten the grill to the heater with screws. Press the thermostat knob onto the shaft and turn fully counter-clockwise.
8. Turn on power at the circuit breaker (fuse box) and turn thermostat knob fully clockwise until temperature is comfortable, then turn knob left until a click sound is heard and the heater turns off. A few adjustments may be necessary to find your comfort zone.

**NOTE:** This thermostat is double pole and so has a positive off. If you do not want the heater to come on even when the climate turns cold, turn the knob fully counterclockwise.

## Warranty

For more effective and safer operation and to prolong the life of the heater, read the Owner's Guide and follow the instructions. Failure to properly maintain the heater will void any warranty and may cause the heater to function improperly.

**LIMITED ONE-YEAR WARRANTY:** Cadet will repair or replace any RMT2 thermostat found to be defective within one year after the date of purchase.

**These warranties do not apply:**

1. Damage occurs to the product through improper installation or incorrect supply voltage;
2. Damage occurs to the product through improper maintenance, misuse, abuse, accident, or alteration;
3. The use of unauthorized accessories or unauthorized components constitutes an alteration and voids all warranties. Refer to Cadet website or call customer service at 855.CADET.US for list of authorized accessories and components.
4. CADET'S WARRANTY IS LIMITED TO REPAIR OR REPLACEMENT.

5. IN THE EVENT CADET ELECTS TO REPLACE ANY PART OF YOUR CADET PRODUCT, THE REPLACEMENT PARTS ARE SUBJECT TO THE SAME WARRANTIES AS THE PRODUCT. THE INSTALLATION OF REPLACEMENT PARTS DOES NOT MODIFY OR EXTEND THE UNDERLYING WARRANTIES. REPLACEMENT OR REPAIR OF ANY CADET PRODUCT OR PART DOES NOT CREATE ANY NEW WARRANTIES.

If you believe your Cadet product is defective, please contact Cadet during the warranty period, for instructions on how to have the repair or replacement processed.

### Parts and Service

Visit [cadetheat.com/parts-service](http://cadetheat.com/parts-service) for information on where to obtain parts and service.



### Reduce-Reuse-Recycle

This product is made primarily of recyclable materials. You can reduce your carbon footprint by recycling this product at the end of its useful life. Contact your local recycling support center for further recycling instructions.